

# Easterly

User Guide







Inspired by adventures. Unbound.

## Safety & Disclaimer

### Important:

Before using your Pull-About, please read the user guide carefully. For questions and additional information, please visit our website at **[easterly.au](https://easterly.au)**

### Safety & Disclaimer:

Please note that all safety and disclaimer information is subject to potential updates, which will be made solely at the discretion of Easterly. For the latest and most current information, visit our website at **[easterly.au](https://easterly.au)**



## **Warning:**

Using this product without due care and responsibility could lead to injuries or even potential harm to yourself and others. It's important to exercise caution and apply common sense when using this product. Ensure adult supervision when in use.

Always read and follow all warnings and instructions for the Pull-About and any accessory product you purchase for use with it.

- Be careful when using on slopes or incline.
- When stationary, position the Pull Handle upright to avoid becoming a trip hazard.
- Do not over-inflate your rear tires. Failure to comply with the rated tire sidewall pressure (36 PSI) may lead to explosion of the tire and possible injury.
- Please note that for general use of the Pull-About, the front and rear walls must be connected.

## **Intended Use:**

The Pull-About is not designed for transporting children, adults or pets.

# The Pull-About

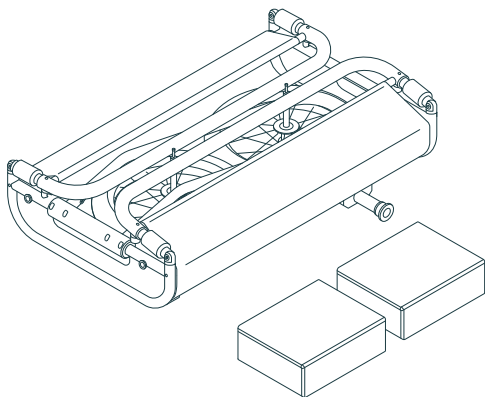
A smarter cart. Thoughtfully functional.

## 01.

### Unpack your Pull-About

Remove Pull-About from the shipper and unpack the components. You should have the following:

1. 1 x Cart body
2. 2 x Large Rear Wheels
3. 2 x Castors



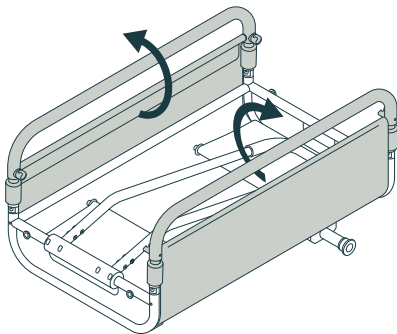


# 02.

## Open Side Walls

Open the Side Walls by grabbing the frames and pulling up and out. You will feel and hear them click into place when they are fully vertical.

See Storage for how to collapse walls



# 03.

## Unpack your Pull-About

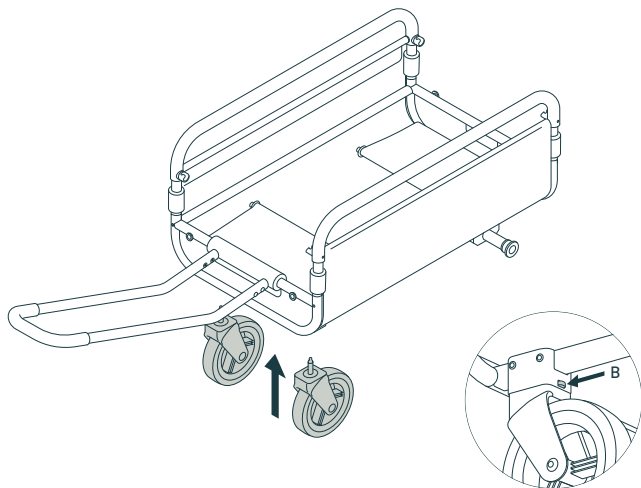
Rotate the Pull Handle up and out.

Remove the large Rear Wheels and their packaging from inside your Pull-About.

**Note: Each Rear Wheel comes with a rubber cap over the Wheel Axle – this is just protective packaging. Remove and discard the rubber caps before fitting the Rear Wheels.**

Remove the Castors from their cartons. Fit one at a time into their receptacles on the underside front frame of your Pull-About.

**Be sure to push button B to lock the Castors in place as you insert.**





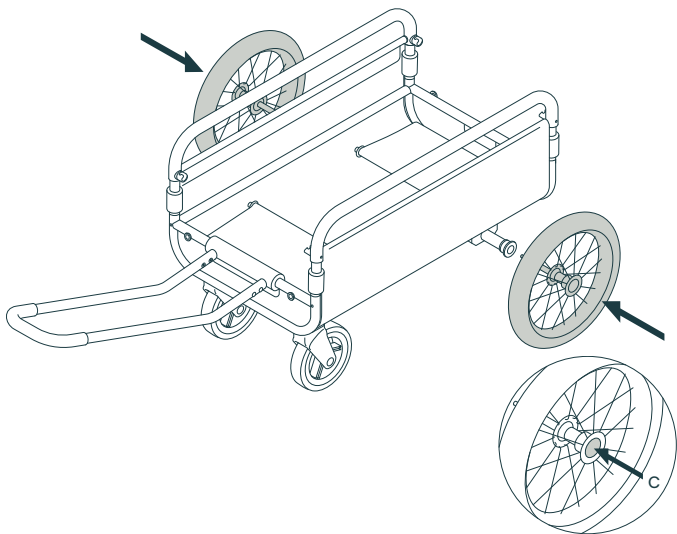
# 04.

## Fit Rear Wheels

Install the Rear Wheels one at a time by sliding each Wheel Axle inside it's frame receptacle.

Be sure to push button C to lock the Rear Wheels in place as you insert

To remove the Rear Wheels, push button C and pull Wheel Axle out.



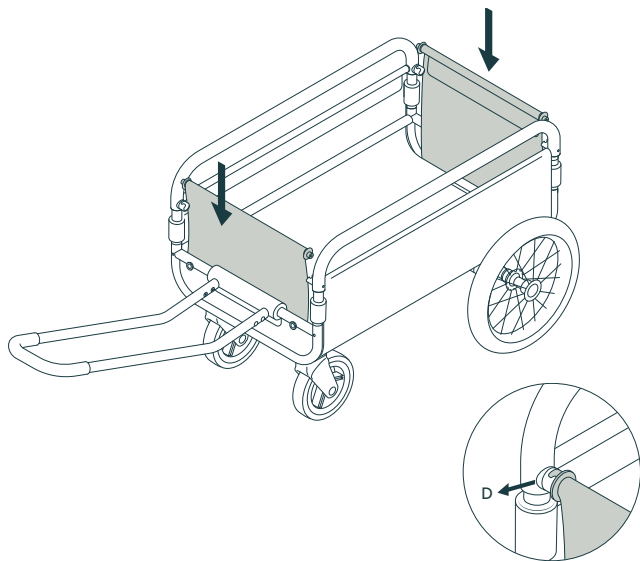
# 05.

### Fit Front & Rear Walls

Ensure that the Pull Handle is still folded out into the forward position.

Lift the Front Wall Cross Bar up and insert it's ends into the corresponding receptacles 'D' on the Side Walls, lowering from above. As you lower the Cross Bar down ensure the ends are correctly aligned with the sockets in the receptacles.

Repeat the process to fit the Rear Wall.





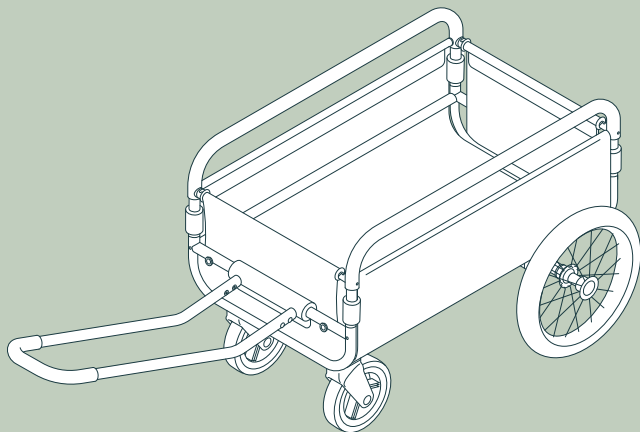
# 06.

## The Pull-About

A smarter cart. Thoughtfully functional.

### Ready to go

That's it, you're done! Your Pull-About is now fully assembled and ready for use.



Important: Before each use, ensure wheels are properly attached and your load is secured.

## Product Care & Maintenance Instructions

We recommend washing off sand and salt water after coastal adventures.

For cleaning of the canvas, do not use bleach. Hand wash or wipe down with warm water and mild soap or detergent, then wipe dry.

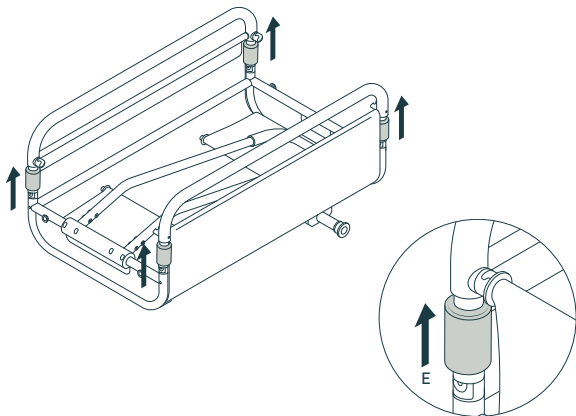
Please check rear tire pressure regularly and adjust as required to max 36 PSI.

### Storage

For longer product life, store out of direct sunlight in a dry, well-ventilated area and remove sand, dirt, or salt water.

### Collapsing for Storage

When collapsing Pull-About for storage, simultaneously slide up the 2 collars 'E' on the side wall to release lock and then fold side wall down. Repeat for other side.



# Technical Specifications



## Pull-About

Net weight (cart only):	12.5 kg / 27.6 lbs
Gross weight (cart & packaging):	16 kg / 33.1 lbs
Frame Material:	Corrosive treated; powder coated steel
Base Material:	Injected molded plastic
Exposed screws/bolts:	Black nickel coated stainless steel

## Rear Wheel

Type:	Inflatable tire
Materials:	Aluminum and stainless steel
Air Pressure:	36 PSI

## Castor Wheel

Type:	PU tire
-------	---------

## Volume

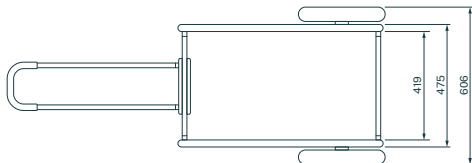
Top of side arms:	101 L / 3.57 cu ft
-------------------	--------------------

## Loading Capacity

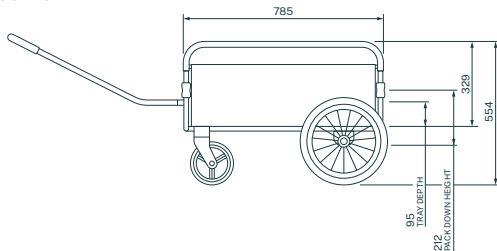
Static Load:	150 kg / 330 lbs
Dynamic Load:	80 kg / 176 lbs

## Size (MM)

Top View



Side View



## Warranty & Repairs – United States

Easterly has great confidence in the quality of our products. Subject to proper use in accordance with our instructions, we provide a 12-month limited manufacturer's warranty from the date of purchase, covering defects in materials and workmanship.

This limited manufacturer's warranty is provided by Easterly to customers in the United States and complies with the California Song-Beverly Consumer Warranty Act. Under this law, consumers in California are entitled to an implied warranty of merchantability for at least one year from the purchase date. This means the product must be fit for its ordinary use.

If a defect arises during the warranty period, we will repair, replace, or refund the item, at our discretion, and in accordance with applicable law. To make a claim, you must provide proof of purchase, details of the issue, and photographic evidence where applicable.

### **Please note:**

- This warranty does not cover damage resulting from misuse, normal wear and tear, environmental exposure, or corrosion (which is a natural aging process and not considered a defect).
- If a claim is not covered under warranty, we may offer repairs at a reasonable fee.

For the comprehensive terms and conditions outlined in our full warranty document, please refer to our website at **[easterly.au](http://easterly.au)**



Thank you for joining Easterly.



Time better spent.

[easterly.au](http://easterly.au)